

BR 500|630



COMMERCIAL REMOTE CONDENSER

CONSTRUCTION CHARACTERISTICS

- ~ 8 mm O.D. seamless copper tube expanded into aluminium fins, with 2.1 and 3.2 mm fin space
- ~ casing in white pre-coated aluminium and galvanized steel or inox on request
- ~ 400V/3F/50Hz motorfans
- ~ on request:
 - protective treatment of coils

CONDENSATORI REMOTI COMMERCIALI

CARATTERISTICHE COSTRUTTIVE

- ~ batteria realizzata con tubo di rame \varnothing 8 mm ed aletta di alluminio con passo aletta 2.1 e 3.2 mm
- ~ involucro in alluminio pre verniciato e lamiera zincata bianca o inox su richiesta
- ~ motoventilatori 400V/3F/50Hz
- ~ a richiesta possibilità di:
 - trattamenti protettivi della batteria

Model Modello	Nominal Capacity Potenza nominale $\Delta T = 15K$ Tair 25° C	Air Flow Portata aria	Surface Superficie	Internal Volume Volume interno	N° x Ø	rpm	Feed	Motorfan power consumption Assorbimento motoventilatori 400V/3F/50- 60Hz		Noise level Rumorosità dB(A)		Weight Peso kg	Connection Connessioni IN/OUT Ø mm	
								A	Kw	10 m	5 m			
BR 630														
rpm 1330														
BR63	BRV611B21T400D	39.17	18518	55	5	1 x 630	1330	400 - 3 - 50	5.00	2.70	63 / 10	68 / 5	101	35/22
BR63	BRV611C21T400D	53.38	17938	83	7	1 x 630	1330	400 - 3 - 50	5.00	2.70	63 / 10	68 / 5	111	35/22
BR63	BRV611D21T400D	63.35	17397	110	10	1 x 630	1330	400 - 3 - 50	5.00	2.70	63 / 10	68 / 5	119	35/22
BR63	BRV612B21T400D	79.39	37036	110	9	2 x 630	1330	400 - 3 - 50	10.00	5.40	65 / 10	71 / 5	174	42/28
BR63	BRV612C21T400D	105.10	35875	166	14	2 x 630	1330	400 - 3 - 50	10.00	5.40	65 / 10	71 / 5	191	42/28
BR63	BRV612D21T400D	124.58	34795	221	19	2 x 630	1330	400 - 3 - 50	10.00	5.40	65 / 10	71 / 5	211	54/35
BR63	BRV613B21T400D	113.52	55553	166	14	3 x 630	1330	400 - 3 - 50	15.00	8.10	67 / 10	72 / 5	248	54/35
BR63	BRV613C21T400D	149.91	53813	248	21	3 x 630	1330	400 - 3 - 50	15.00	8.10	67 / 10	72 / 5	273	54/35
BR63	BRV613D21T400D	177.98	52192	331	27	3 x 630	1330	400 - 3 - 50	15.00	8.10	67 / 10	72 / 5	299	67/42
BR63	BRV614B21T400D	158.87	74071	221	18	4 x 630	1330	400 - 3 - 50	20.00	10.80	68 / 10	73 / 5	320	54/35
BR63	BRV614C21T400D	210.30	71750	331	27	4 x 630	1330	400 - 3 - 50	20.00	10.80	68 / 10	73 / 5	354	67/42
BR63	BRV614D21T400D	249.35	69589	442	36	4 x 630	1330	400 - 3 - 50	20.00	10.80	68 / 10	73 / 5	391	67/42
BR63	BRV621B21T400D	78.24	36985	109	10	2 x 630	1330	400 - 3 - 50	10.00	5.40	65 / 10	70 / 5	196	42/28
BR63	BRV621C21T400D	106.01	35808	164	15	2 x 630	1330	400 - 3 - 50	10.00	5.40	65 / 10	70 / 5	218	42/28
BR63	BRV621D21T400D	126.23	34713	218	20	2 x 630	1330	400 - 3 - 50	10.00	5.40	65 / 10	70 / 5	237	54/35
BR63	BRV622B21T400D	156.47	73971	218	19	4 x 630	1330	400 - 3 - 50	20.00	10.80	68 / 10	73 / 5	346	54/35
BR63	BRV622C21T400D	208.53	71616	327	28	4 x 630	1330	400 - 3 - 50	20.00	10.80	68 / 10	73 / 5	382	67/42
BR63	BRV622D21T400D	247.28	69425	436	37	4 x 630	1330	400 - 3 - 50	20.00	10.80	68 / 10	73 / 5	422	67/42
BR63	BRV623B21T400D	224.44	110957	327	27	6 x 630	1330	400 - 3 - 50	30.00	16.20	70 / 10	75 / 5	492	67/42
BR63	BRV623C21T400D	296.79	107424	491	41	6 x 630	1330	400 - 3 - 50	30.00	16.20	70 / 10	75 / 5	550	76/54
BR63	BRV623D21T400D	352.72	104138	654	55	6 x 630	1330	400 - 3 - 50	30.00	16.20	70 / 10	75 / 5	588	76/54
BR63	BRV624B21T400D	312.94	147942	436	36	8 x 630	1330	400 - 3 - 50	40.00	21.60	71 / 10	76 / 5	626	76/54
BR63	BRV624C21T400D	417.35	143233	654	54	8 x 630	1330	400 - 3 - 50	40.00	21.60	71 / 10	76 / 5	698	76/54
BR63	BRV624D21T400D	494.63	138851	872	72	8 x 630	1330	400 - 3 - 50	40.00	21.60	71 / 10	76 / 5	758	89/67
rpm 1330														
BR63	BRV611B21S400D	33.52	13241	55	5	1 x 630	1330	400 - 3 - 50	2.48	1.25	56 / 10	61 / 5	101	35/22
BR63	BRV611C21S400D	44.43	12971	83	7	1 x 630	1330	400 - 3 - 50	2.48	1.25	56 / 10	61 / 5	111	35/22
BR63	BRV611D21S400D	52.45	12709	110	10	1 x 630	1330	400 - 3 - 50	2.48	1.25	56 / 10	61 / 5	119	35/22
BR63	BRV612B21S400D	65.81	26481	110	9	2 x 630	1330	400 - 3 - 50	4.96	2.50	58 / 10	64 / 5	174	35/22
BR63	BRV612C21S400D	89.22	25941	166	14	2 x 630	1330	400 - 3 - 50	4.96	2.50	58 / 10	64 / 5	191	42/28
BR63	BRV612D21S400D	105.49	25418	221	19	2 x 630	1330	400 - 3 - 50	4.96	2.50	58 / 10	64 / 5	211	42/28
BR63	BRV613B21S400D	95.25	39722	166	14	3 x 630	1330	400 - 3 - 50	7.44	3.75	60 / 10	65 / 5	248	42/28
BR63	BRV613C21S400D	134.02	38912	248	21	3 x 630	1330	400 - 3 - 50	7.44	3.75	60 / 10	65 / 5	273	54/35
BR63	BRV613D21S400D	158.23	38127	331	27	3 x 630	1330	400 - 3 - 50	7.44	3.75	60 / 10	65 / 5	299	54/35
BR63	BRV614B21S400D	132.44	52962	221	18	4 x 630	1330	400 - 3 - 50	9.92	5.00	61 / 10	66 / 5	320	54/35
BR63	BRV614C21S400D	173.06	51883	331	27	4 x 630	1330	400 - 3 - 50	9.92	5.00	61 / 10	66 / 5	354	54/35
BR63	BRV614D21S400D	203.27	50836	442	36	4 x 630	1330	400 - 3 - 50	9.92	5.00	61 / 10	66 / 5	391	67/42
BR63	BRV621B21S400D	66.85	26460	109	10	2 x 630	1330	400 - 3 - 50	4.96	2.50	58 / 10	63 / 5	196	35/22
BR63	BRV621C21S400D	88.36	25912	164	15	2 x 630	1330	400 - 3 - 50	4.96	2.50	58 / 10	63 / 5	218	42/28
BR63	BRV621D21S400D	104.55	25379	218	20	2 x 630	1330	400 - 3 - 50	4.96	2.50	58 / 10	63 / 5	237	42/28
BR63	BRV622B21S400D	131.25	52920	218	19	4 x 630	1330	400 - 3 - 50	9.92	5.00	61 / 10	66 / 5	346	54/35
BR63	BRV622C21S400D	176.73	51824	327	28	4 x 630	1330	400 - 3 - 50	9.92	5.00	61 / 10	66 / 5	382	67/42
BR63	BRV622D21S400D	209.48	50758	436	37	4 x 630	1330	400 - 3 - 50	9.92	5.00	61 / 10	66 / 5	422	67/42
BR63	BRV623B21S400D	186.27	79380	327	27	6 x 630	1330	400 - 3 - 50	14.88	7.50	63 / 10	68 / 5	492	67/42
BR63	BRV623C21S400D	266.41	77736	491	41	6 x 630	1330	400 - 3 - 50	14.88	7.50	63 / 10	68 / 5	550	76/54
BR63	BRV623D21S400D	314.21	76136	654	55	6 x 630	1330	400 - 3 - 50	14.88	7.50	63 / 10	68 / 5	588	76/54
BR63	BRV624B21S400D	263.04	105840	436	36	8 x 630	1330	400 - 3 - 50	19.84	10.00	64 / 10	69 / 5	626	76/54
BR63	BRV624C21S400D	343.87	103648	654	54	8 x 630	1330	400 - 3 - 50	19.84	10.00	64 / 10	69 / 5	698	76/54
BR63	BRV624D21S400D	403.64	101515	872	72	8 x 630	1330	400 - 3 - 50	19.84	10.00	64 / 10	69 / 5	758	76/54

Model Modello	Nominal Capacity Potenza nominale $\Delta T=15K$ $T_{air} 25^\circ C$	Air Flow Portata aria	Surface Superficie	Internal Volume Volume interno	N° x Ø			Motorfan power consumption Assorbimento motoventilatori 400V/3F/50- 60Hz	Noise level Rumorosità dB(A)	Weight Peso	Connection Conessioni		
BR 630	kW	m³/h	m²	dm³		rpm	Feed	A	Kw	10 m	5 m	kg	IN/OUT Ø mm

rpm 860

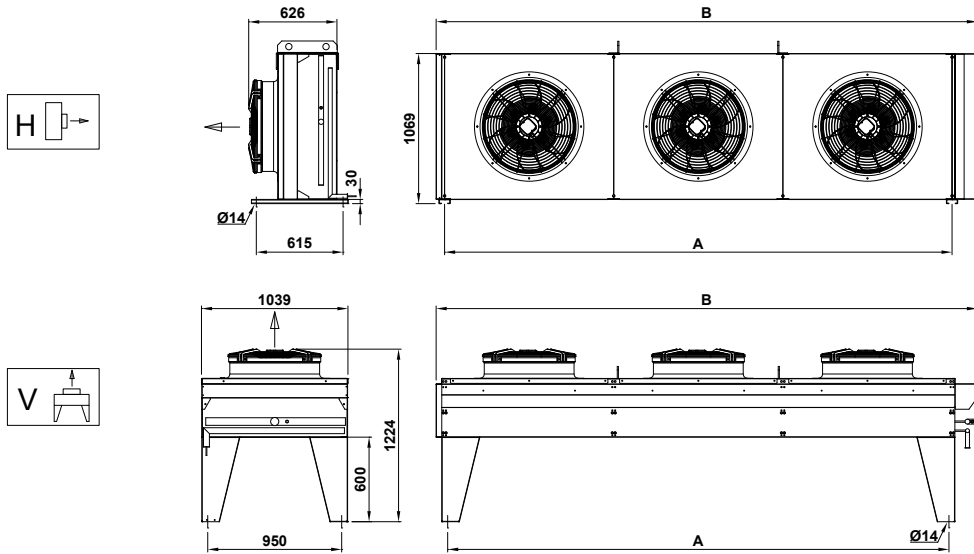
BR63	BRV611B21L400D	29.55	10520	55	5	1 x 630	860	400 - 3 - 50/60	2.62	0,60	45 / 10	50 / 5	101	35/22
BR63	BRV611C21L400D	38.42	10191	83	7	1 x 630	860	400 - 3 - 50/60	2.62	0,60	45 / 10	50 / 5	111	35/22
BR63	BRV611D21L400D	44.62	9882	110	10	1 x 630	860	400 - 3 - 50/60	2.62	0,60	45 / 10	50 / 5	119	35/22
BR63	BRV612B21L400D	59.81	21041	110	9	2 x 630	860	400 - 3 - 50/60	5.24	1,20	47 / 10	53 / 5	174	35/22
BR63	BRV612C21L400D	77.05	20383	166	14	2 x 630	860	400 - 3 - 50/60	5.24	1,20	47 / 10	53 / 5	191	42/28
BR63	BRV612D21L400D	89.13	19764	221	19	2 x 630	860	400 - 3 - 50/60	5.24	1,20	47 / 10	53 / 5	211	42/28
BR63	BRV613B21L400D	89.73	31561	166	14	3 x 630	860	400 - 3 - 50/60	7.86	1,80	49 / 10	54 / 5	248	42/28
BR63	BRV613C21L400D	115.58	30574	248	21	3 x 630	860	400 - 3 - 50/60	7.86	1,80	49 / 10	54 / 5	273	54/35
BR63	BRV613D21L400D	133.55	29646	331	27	3 x 630	860	400 - 3 - 50/60	7.86	1,80	49 / 10	54 / 5	299	54/35
BR63	BRV614B21L400D	116.04	42081	221	18	4 x 630	860	400 - 3 - 50/60	10.48	2,40	50 / 10	55 / 5	320	54/35
BR63	BRV614C21L400D	148.45	40766	331	27	4 x 630	860	400 - 3 - 50/60	10.48	2,40	50 / 10	55 / 5	354	54/35
BR63	BRV614D21L400D	171.06	39528	442	36	4 x 630	860	400 - 3 - 50/60	10.48	2,40	50 / 10	55 / 5	391	54/35
BR63	BRV621B21L400D	58.54	21014	109	10	2 x 630	860	400 - 3 - 50/60	5.24	1,20	47 / 10	52 / 5	196	35/22
BR63	BRV621C21L400D	76.34	20347	164	15	2 x 630	860	400 - 3 - 50/60	5.24	1,20	47 / 10	52 / 5	218	42/28
BR63	BRV621D21L400D	88.68	19719	218	20	2 x 630	860	400 - 3 - 50/60	5.24	1,20	47 / 10	52 / 5	237	42/28
BR63	BRV622B21L400D	118.81	42028	218	19	4 x 630	860	400 - 3 - 50/60	10.48	2,40	50 / 10	55 / 5	346	54/35
BR63	BRV622C21L400D	153.11	40694	327	28	4 x 630	860	400 - 3 - 50/60	10.48	2,40	50 / 10	55 / 5	382	54/35
BR63	BRV622D21L400D	176.94	39438	436	37	4 x 630	860	400 - 3 - 50/60	10.48	2,40	50 / 10	55 / 5	422	67/42
BR63	BRV623B21L400D	178.22	63043	327	27	6 x 630	860	400 - 3 - 50/60	15.72	3,60	52 / 10	57 / 5	492	67/42
BR63	BRV623C21L400D	229.87	61041	491	41	6 x 630	860	400 - 3 - 50/60	15.72	3,60	52 / 10	57 / 5	550	67/42
BR63	BRV623D21L400D	265.45	59157	654	55	6 x 630	860	400 - 3 - 50/60	15.72	3,60	52 / 10	57 / 5	588	76/54
BR63	BRV624B21L400D	230.28	84057	436	36	8 x 630	860	400 - 3 - 50/60	20.96	4,80	53 / 10	58 / 5	626	67/42
BR63	BRV624C21L400D	294.49	81388	654	54	8 x 630	860	400 - 3 - 50/60	20.96	4,80	53 / 10	58 / 5	698	76/54
BR63	BRV624D21L400D	339.70	78876	872	72	8 x 630	860	400 - 3 - 50/60	20.96	4,80	53 / 10	58 / 5	758	76/54

rpm 650

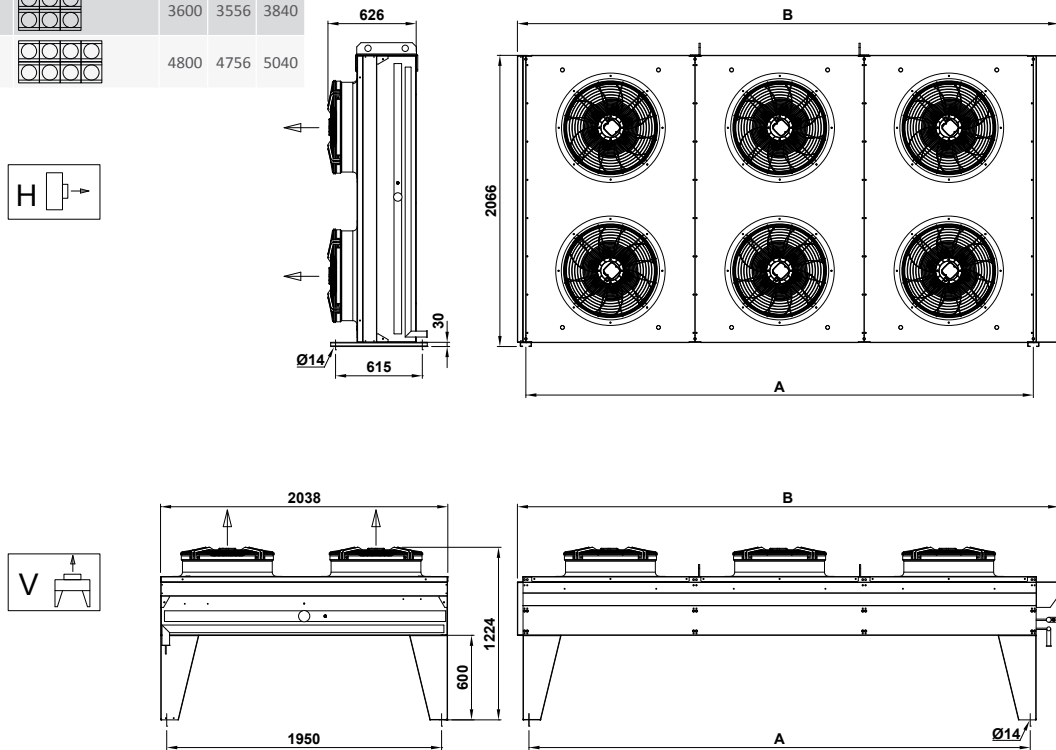
BR63	BRV611B21E400D	22.29	6541	55	5	1 x 630	650	400 - 3 - 50/60	0.55	0,24	39 / 10	44 / 5	101	35/22
BR63	BRV611C21E400D	28.06	6336	83	7	1 x 630	650	400 - 3 - 50/60	0.55	0,24	39 / 10	44 / 5	111	35/22
BR63	BRV611D21E400D	31.78	6144	110	10	1 x 630	650	400 - 3 - 50/60	0.55	0,24	39 / 10	44 / 5	119	35/22
BR63	BRV612B21E400D	45.32	13083	110	9	2 x 630	650	400 - 3 - 50/60	1.10	0,47	41 / 10	47 / 5	174	35/22
BR63	BRV612C21E400D	56.70	12673	166	14	2 x 630	650	400 - 3 - 50/60	1.10	0,47	41 / 10	47 / 5	191	35/22
BR63	BRV612D21E400D	63.56	12288	221	19	2 x 630	650	400 - 3 - 50/60	1.10	0,47	41 / 10	47 / 5	211	35/22
BR63	BRV613B21E400D	67.90	19624	166	14	3 x 630	650	400 - 3 - 50/60	1.65	0,71	43 / 10	48 / 5	248	35/22
BR63	BRV613C21E400D	84.17	19009	248	21	3 x 630	650	400 - 3 - 50/60	1.65	0,71	43 / 10	48 / 5	273	42/28
BR63	BRV613D21E400D	95.34	18432	331	27	3 x 630	650	400 - 3 - 50/60	1.65	0,71	43 / 10	48 / 5	299	42/28
BR63	BRV614B21E400D	87.01	26166	221	18	4 x 630	650	400 - 3 - 50/60	2.20	0,94	44 / 10	49 / 5	320	42/28
BR63	BRV614C21E400D	113.65	25346	331	27	4 x 630	650	400 - 3 - 50/60	2.20	0,94	44 / 10	49 / 5	354	54/35
BR63	BRV614D21E400D	127.12	24576	442	36	4 x 630	650	400 - 3 - 50/60	2.20	0,94	44 / 10	49 / 5	391	54/35
BR63	BRV621B21E400D	45.00	13068	109	10	2 x 630	650	400 - 3 - 50/60	1.10	0,47	41 / 10	46 / 5	196	35/22
BR63	BRV621C21E400D	56.02	12652	164	15	2 x 630	650	400 - 3 - 50/60	1.10	0,47	41 / 10	46 / 5	218	35/22
BR63	BRV621D21E400D	63.42	12261	218	20	2 x 630	650	400 - 3 - 50/60	1.10	0,47	41 / 10	46 / 5	237	35/22
BR63	BRV622B21E400D	90.07	26136	218	19	4 x 630	650	400 - 3 - 50/60	2.20	0,94	44 / 10	49 / 5	346	42/28
BR63	BRV622C21E400D	112.88	25304	327	28	4 x 630	650	400 - 3 - 50/60	2.20	0,94	44 / 10	49 / 5	382	42/28
BR63	BRV622D21E400D	126.85	24523	436	37	4 x 630	650	400 - 3 - 50/60	2.20	0,94	44 / 10	49 / 5	422	54/35
BR63	BRV623B21E400D	134.94	39204	327	27	6 x 630	650	400 - 3 - 50/60	3.30	1,41	46 / 10	51 / 5	492	54/35
BR63	BRV623C21E400D	167.18	37957	491	41	6 x 630	650	400 - 3 - 50/60	3.30	1,41	46 / 10	51 / 5	550	54/35
BR63	BRV623D21E400D	190.27	36784	654	55	6 x 630	650	400 - 3 - 50/60	3.30	1,41	46 / 10	51 / 5	588	67/42
BR63	BRV624B21E400D	172.79	52272	436	36	8 x 630	650	400 - 3 - 50/60	4.40	1,88	47 / 10	52 / 5	626	54/35
BR63	BRV624C21E400D	226.04	50609	654	54	8 x 630	650	400 - 3 - 50/60	4.40	1,88	47 / 10	52 / 5	698	67/42
BR63	BRV624D21E400D	253.70	49046	872	72	8 x 630	650	400 - 3 - 50/60	4.40	1,88	47 / 10	52 / 5	758	67/42

Model Modello	Nominal Capacity Potenza nominale $\Delta T=15K$ Tair 25° C	Air Flow Portata aria	Surface Superficie	Internal Volume Volume interno	N° x Ø				Motorfan power consumption Assorbimento motoventilatori 400V/3F/50- 60Hz	Noise level Rumorosità dB(A)	Wei- ght Peso	Connection Conessioni		
BR 630	kW	m³/h	m²	dm³		rpm	Feed	A	Kw	10 m	5 m	kg	IN/OUT Ø mm	
rpm 380														
BR63	BRV611B21E400D	18.95	4923	55	5	1 x 630	380	400 - 3 - 50/60	0.23	0,12	35 / 10	40 / 5	101	35/22
BR63	BRV611C21E400D	22.26	4574	83	7	1 x 630	380	400 - 3 - 50/60	0.23	0,12	35 / 10	40 / 5	111	35/22
BR63	BRV611D21E400D	24.14	4256	110	10	1 x 630	380	400 - 3 - 50/60	0.23	0,12	35 / 10	40 / 5	119	35/22
BR63	BRV612B21E400D	38.06	9846	110	9	2 x 630	380	400 - 3 - 50/60	0.46	0,24	37 / 10	43 / 5	174	35/22
BR63	BRV612C21E400D	45.21	9149	166	14	2 x 630	380	400 - 3 - 50/60	0.46	0,24	37 / 10	43 / 5	191	35/22
BR63	BRV612D21E400D	48.32	8513	221	19	2 x 630	380	400 - 3 - 50/60	0.46	0,24	37 / 10	43 / 5	211	35/22
BR63	BRV613B21E400D	56.67	14769	166	14	3 x 630	380	400 - 3 - 50/60	0.69	0,36	39 / 10	44 / 5	248	35/22
BR63	BRV613C21E400D	67.81	13723	248	21	3 x 630	380	400 - 3 - 50/60	0.69	0,36	39 / 10	44 / 5	273	35/22
BR63	BRV613D21E400D	72.48	12769	331	27	3 x 630	380	400 - 3 - 50/60	0.69	0,36	39 / 10	44 / 5	299	42/28
BR63	BRV614B21E400D	76.26	19693	221	18	4 x 630	380	400 - 3 - 50/60	0.92	0,48	40 / 10	45 / 5	320	42/28
BR63	BRV614C21E400D	90.42	18298	331	27	4 x 630	380	400 - 3 - 50/60	0.92	0,48	40 / 10	45 / 5	354	42/28
BR63	BRV614D21E400D	96.25	17026	442	36	4 x 630	380	400 - 3 - 50/60	0.92	0,48	40 / 10	45 / 5	391	42/28
BR63	BRV621B21E400D	37.68	9821	109	10	2 x 630	380	400 - 3 - 50/60	0.46	0,24	37 / 10	42 / 5	196	35/22
BR63	BRV621C21E400D	45.05	9116	164	15	2 x 630	380	400 - 3 - 50/60	0.46	0,24	37 / 10	42 / 5	218	35/22
BR63	BRV621D21E400D	47.97	8473	218	20	2 x 630	380	400 - 3 - 50/60	0.46	0,24	37 / 10	42 / 5	237	35/22
BR63	BRV622B21E400D	75.61	19642	218	19	4 x 630	380	400 - 3 - 50/60	0.92	0,48	40 / 10	45 / 5	346	42/28
BR63	BRV622C21E400D	90.10	18233	327	28	4 x 630	380	400 - 3 - 50/60	0.92	0,48	40 / 10	45 / 5	382	42/28
BR63	BRV622D21E400D	96.10	16946	436	37	4 x 630	380	400 - 3 - 50/60	0.92	0,48	40 / 10	45 / 5	422	42/28
BR63	BRV623B21E400D	112.59	29463	327	27	6 x 630	380	400 - 3 - 50/60	1.38	0,72	42 / 10	47 / 5	492	42/28
BR63	BRV623C21E400D	135.14	27349	491	41	6 x 630	380	400 - 3 - 50/60	1.38	0,72	42 / 10	47 / 5	550	54/35
BR63	BRV623D21E400D	144.09	25420	654	55	6 x 630	380	400 - 3 - 50/60	1.38	0,72	42 / 10	47 / 5	588	54/35
BR63	BRV624B21E400D	151.22	39284	436	36	8 x 630	380	400 - 3 - 50/60	1.84	0,96	43 / 10	48 / 5	626	54/35
BR63	BRV624C21E400D	180.19	36466	654	54	8 x 630	380	400 - 3 - 50/60	1.84	0,96	43 / 10	48 / 5	698	67/42
BR63	BRV624D21E400D	191.35	33893	872	72	8 x 630	380	400 - 3 - 50/60	1.84	0,96	43 / 10	48 / 5	758	67/42

Modello Model	A (H)	A (V)	B
BR611	1200	1156	1440
BR612	2400	2356	2640
BR613	3600	3556	3840
BR614	4800	4756	5040



Modello Model	A (H)	A (V)	B
BR621	1200	1156	1440
BR622	2400	2356	2640
BR623	3600	3556	3840
BR624	4800	4756	5040



BR 630